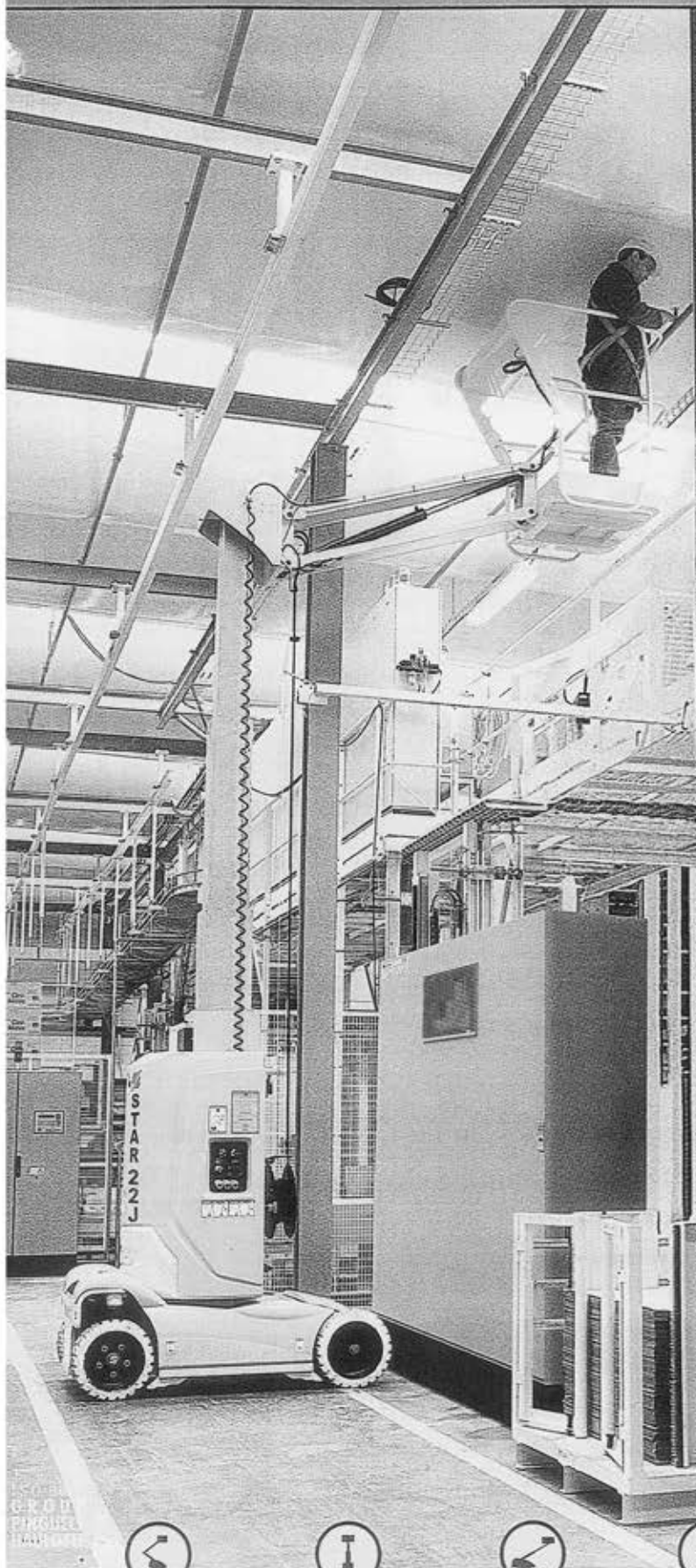


# V E R T I C A L M A S T



## STAR 22J



- 9 ft 10 in outreach
- Compact: 360° Rotation with zero tail swing
- 440 lb platform capacity
- Proportional electric controls
- High autonomy



ARTICULATED BOOMS



VERTICAL MASTS



TELESCOPIC BOOMS



SCISSOR LIFTS

**Haulotte®**

ON THE UP

# STAR 22J

# Vertical mast

## The Haulotte® advantages

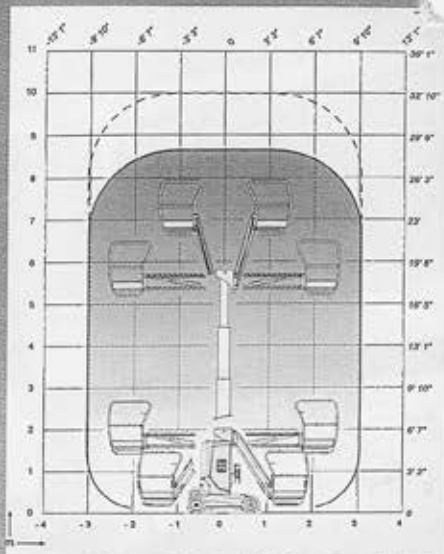
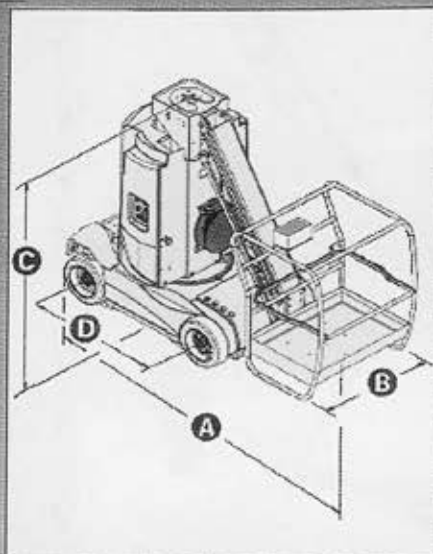
- Full electric drive with the ability to drive at full height
- Proportional controls provide for smooth movements
- Narrow turning radius for better accessibility
- Increased safety with tilt alarm and fixed pot hole protection
- The positive/negative jib offers more flexibility throughout the working envelope
- 2.8 mph travel speed
- 25% gradeability
- Low total weight for easier transport and more applications
- Ergonomic and spacious cage design
- Robust, reliable and easy to maintain

## STANDARD FEATURES

- 24 V Electric motor
- 24 V (12 x 2 V) - 240 AH traction batteries
- 30 Amp battery charger
- Battery charge indicator
- Tilt alarm
- 2 drive speed
- 2 wheel drive and steer
- Non marking tires
- Free wheel device
- Hourmeter
- Horn in cage
- Emergency stop buttons at cage and ground
- 2 Control stations, cage and ground
- Moveable cage control panel
- Safety harness anchor points
- 110 V outlet

## OPTIONS & ACCESSORIES

- Centralised battery filling
- Flashing beacon
- Motion alarm
- Work light
- Air line to platform



## SPECIFICATIONS

Working Height	28 ft 1 in
Platform Height	22 ft 1 in
Horizontal Outreach	10 ft 2 in
Platform Capacity	440 lb
A Length	8 ft 7 in
B Width	3 ft 3 in
C Stowed Height	6 ft 6 in
D Wheelbase	4 ft
Ground clearance	4 in
Platform size	3 ft 2 in x 2 ft 2 in
Tailswing	0
Drive speed	0.43 - 2.8 mph
Outside turning radius	6 ft 2 in
Turntable Rotation	360° non continuous
Traction batteries	24 V / 240 AH
Gradeability	25%
Non marking tires	10 x 16 x 10.5
Weight	5.445 lb

ANSI/SIA A92.6-1999 compliance

D I S T R I B U T E D B Y



# Haulotte®

HAULOTTE US Inc • 7135 STANDARD DRIVE - HANOVER - MD 21076 - USA

PHONE : +1 410 712 4403 • FAX : +1 410 712 4419 • TOLL FREE : +1 877-HAULOTTE • SERVICE TOLL FREE : +1 877-HAULOT-5 • Web : <http://www.haulotte.com>  
PINGUELY-HAULOTTE GROUP